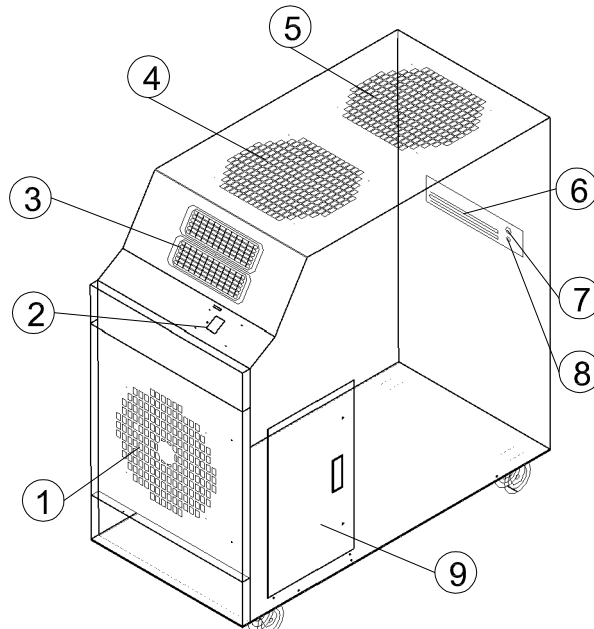


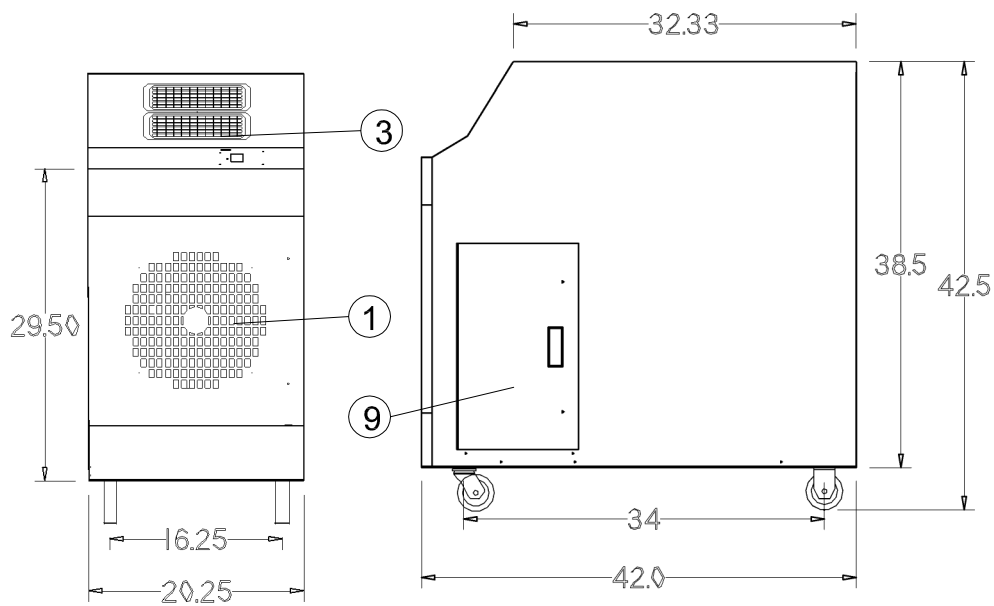
# SAC3021

## Legend

- 1 Return Air
- 2 Control Pad
- 3 Cold Air Supply
- 4 Condenser Air Inlet
- 5 Condenser Air Outlet
- 6 Power Cord
- 7 Condensate Nipple
- 8 Condensate Alarm Jack
- 9 Access Door



Isometric View



Front View

Right View



C US

ETL LISTED CONFORMS TO ANSI/UL  
1995 CERTIFIED TO CAN/CSAA22.2 NO.235

**KwikKool**

**1-800-KWIKOOL**

# SPECIFICATIONS

## Model SAC3021 - 2.5 Ton

<b>COOLING CAPACITY</b>		
	BTU/hr @ 95 F at 60%RH	29,500 (2-1/2 TONS)
<b>COMPRESSOR DATA</b>		
	Compressor Type	HERMETIC ROTARY
	Operating Temperatures	60-110 F .50%RH
	Refrigerant	R-22
<b>FAN DATA</b>		
<b>EVAPORATOR</b>		
	Fan Type (Centrifugal)	DIRECT DRIVE
	Air Flow (CFM)	850/3 Speed
	Supply Air Chute Data	ADJUSTABLE VENT
	Supply Air Chute Kit (Optional)	2-6" Dia. x 15" Length
	Motor HP	1/3
<b>CONDENSER</b>		
	I/O Intergral Condenser - In/Out	BALANCED AIR FLOW
	Fan Type (Centrifugal)	DIRECT DRIVE
	Air Flow (CFM)	1600
	Condenser Hose Data (Optional)	2-14" Dia x 8' Length
	Condenser Hose Max. Length	40"
	Motor HP	1
<b>ELECTRICAL DATA</b>		
	Power Supply (Volts)	208/230-Single Phase
	Current Consumption (Amps)	17.05X15.5
	Power Consumption (KW)	3.05
	Maximum Circuit Breaker (Amps)	20
	Minimum Circuit Ampacity (Amps)	17.35
	Min/Max Voltage	195-225/210-250
	Power Cord Gauge/Length	12AWG/6
	Plug Configuration	NEMA 6-20
<b>DIMENSIONAL DATA</b>		
Unitary Models	Width x Depth x Height (Inches)	20.25X42X42.5
	Weight (Lbs.)	294
	Shipping Weight (Lbs.)	379
	Ceiling Kit - CK-24 Weight	47
	Total Shipping Weight/w Ceiling Kit	441
<b>SAFETY DEVICE DATA</b>		
	Compressor Overload	INTERNAL
	Fan Motor Overload	AUTOMATIC INTERNAL
	Evaporator Freeze-up	HOT GAS BYPASS
	High Pressure Switch	MANUAL
	Low Pressure Switch	AUTOMATIC
	Compressor Short Cycle	YES
	Automatic Restart	YES
	Thermostat	MICROPROCESSOR/ DIGITAL
	Condensate Pump w 20' Head Pres.	YES
	Condensate Pump Overflow	YES
	Condensate Tank Overflow	YES



**1-800-KWIKOOL**