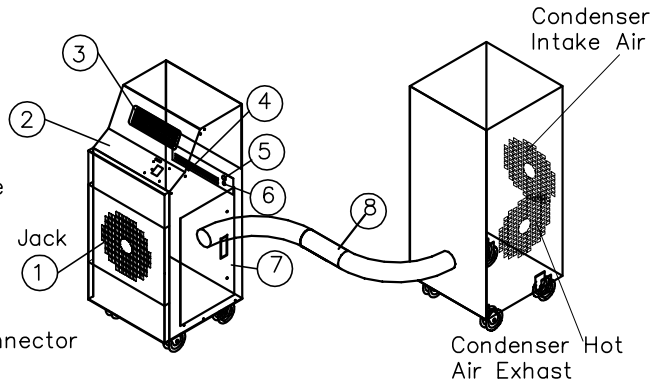


SPLAC1811

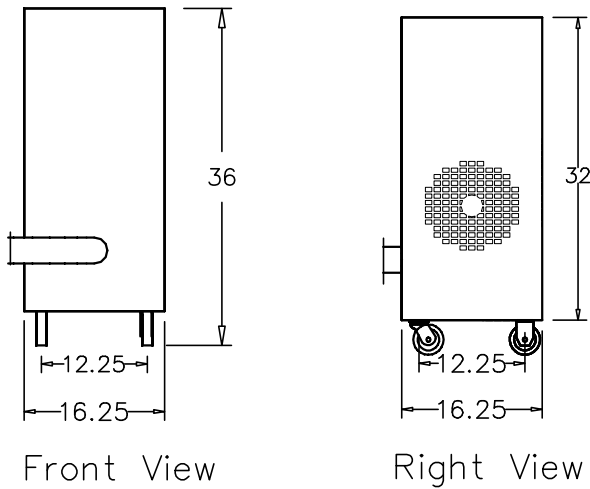
Legend

- 1 Return Air
- 2 Control pad
- 3 Cold Air Supply
- 4 Power Cord
- 5 Condensate Nipple
- 6 Condensate Alarm Jack
- 7 Access Door
- 8 Flexible Cable Connector (3"Ø x 20')



Isometric View

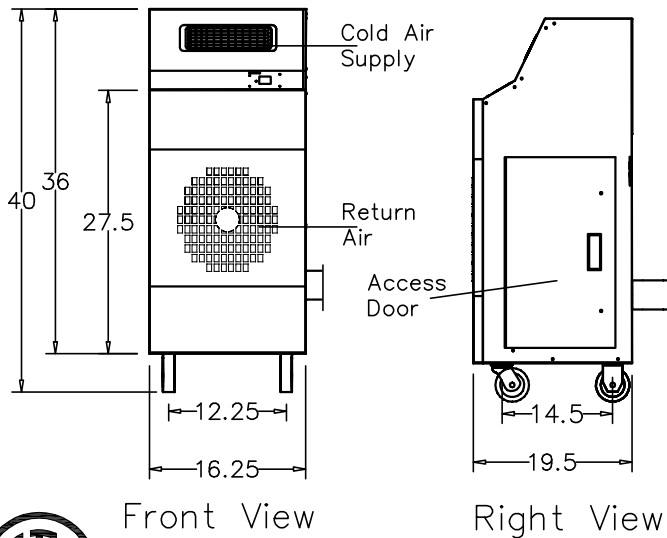
CONDENSER UNIT



Front View

Right View

CONTROL UNIT



Front View

Right View



ETL LISTED CONFORMS TO ANSI/UL
1995 CERTIFIED TO CAN/CSAA22.2 NO.235



1-800-KWIKOOL

SPECIFICATIONS

Model SPLAC1811 - 1.5 Ton

COOLING CAPACITY		
BTU/hr @ 95 F at 60%RH		17,700 (1-1/2 TON)
COMPRESSOR DATA		
Compressor Type		HERMETIC ROTARY
Operating Temperatures		60-110 F .50%RH
Refrigerant		R-22
FAN DATA		
EVAPORATOR		
Fan Type (Centrifugal)		DIRECT DRIVE
Air Flow (CFM)		600/3 Speed
Supply Air Chute Data		ADJUSTABLE VENT
Supply Air Chute Data (Optional)		2-5" Dia. x 12" Length
Motor HP		1/4
CONDENSER		
I/O Intergral Condenser - In/Out		BALANCED AIR FLOW
Fan Type (Centrifugal)		DIRECT DRIVE
Air Flow (CFM)		1250
Condenser Exhaust Duct (Optional)		1x12" Dia. x 8' Length
Condenser Duct Max. Length		25'
Motor HP		1/4
ELECTRICAL DATA		
Power Supply (Volts)		115/Single phase
Current Consumption (Amps)		17.9
Power Consumption (KW)		1.35
Maximum Circuit Breaker (Amps)		20
Minimum Circuit Ampacity (Amps)		18.15
Min/Max Voltage		105-125
Power Cord Gauge/Length		12/6'
Plug Configuration		NEMA 5-20
DIMENSIONAL DATA		
SPLAC Model (Master)	Width x Depth x Height (Inches)	16.25X19.5X40
(Slave)	Width x Depth x Height (Inches)	16.25X16.25X36
	Weight (Lbs.)	261
	Shipping Weight (Lbs.)	336
SAFETY DEVICE DATA		
Compressor Overload		INTERNAL
Fan Motor Overload		AUTOMATIC INTERNAL
Evaporator Freeze-up		HOT GAS BYPASS
High Pressure Switch		MANUAL
Low Pressure Switch		AUTOMATIC
Compressor Short Cycle		YES
Automatic Restart		YES
Thermostat		MICROPROCESSOR/ DIGITAL
Condensate Pump w 20' Head Pres.		YES
Condensate Pump Overflow		YES
Condensate Tank Overflow		YES



1-800-KWIKOOL