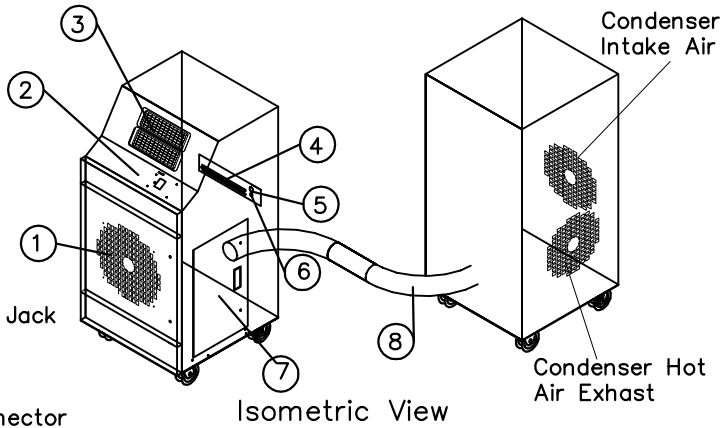


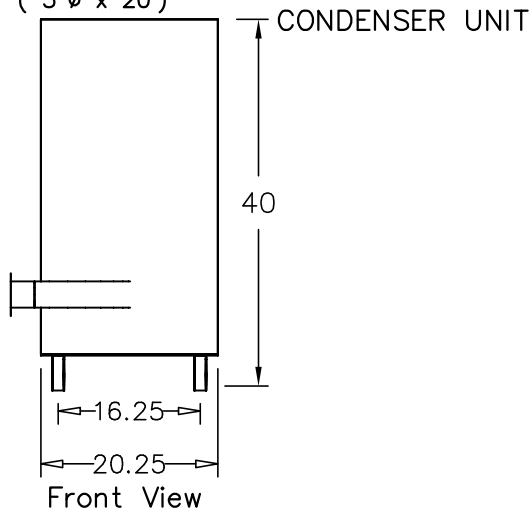
# SPLAC2421

**Legend**

- 1 Return Air
- 2 Control pad
- 3 Cold Air Supply
- 4 Power Cord
- 5 Condensate Nipple
- 6 Condensate Alarm Jack
- 7 Access Door
- 8 Flexible Cable Connector ( 3"φ x 20')

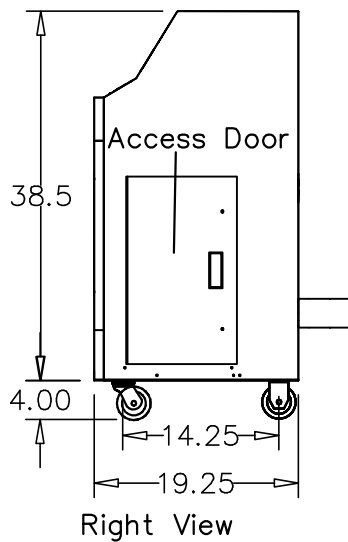
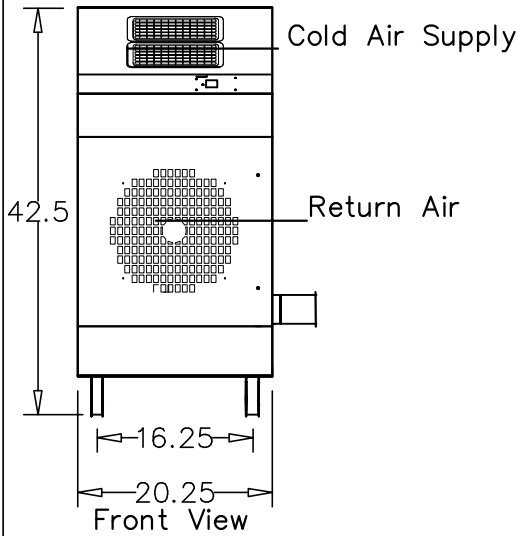


Isometric View



CONDENSER UNIT

CONTROL UNIT



ETL LISTED CONFORMS TO ANSI/UL  
1995 CERTIFIED TO CAN/CSAA22.2 NO.235



1-800-KWIKOOL

# SPECIFICATIONS

## Model SPLAC2421 - 2 Ton

COOLING CAPACITY		
BTU/hr @ 95 F at 60%RH		23,500 (2 TONS)
COMPRESSOR DATA		
Compressor Type		HERMETIC ROTARY
Operating Temperatures		60-110 F .50%RH
Refrigerant		R-22
FAN DATA		
EVAPORATOR		
Fan Type (Centrifugal)		DIRECT DRIVE
Air Flow (CFM)		750/3 Speed
Supply Air Chute Data		ADJUSTABLE VENT
Supply Air Chute Kit (Optional)		2-6" Dia. x 15" Length
Motor HP		1/4
CONDENSER		
I/O Intergral Condenser - In/Out		BALANCED AIR FLOW
Fan Type (Centrifugal)		DIRECT DRIVE
Air Flow (CFM)		1400
Condenser Exhaust Duct (Optional)		1x14" Dia. x 8' Length
Condenser Duct Max. Length		25'
Motor HP		1/4
ELECTRICAL DATA		
Power Supply (Volts)		208/230-Single Phase
Current Consumption (Amps)		13.25/12.5
Power Consumption (KW)		2.5
Maximum Circuit Breaker (Amps)		20
Minimum Circuit Ampacity (Amps)		13.44
Min/Max Voltage		195-225/210-250
Power Cord Gauge/Length		12AWG/6
Plug Configuration		NEMA 6-20
DIMENSIONAL DATA		
SPLAC Model (Master)	Width x Depth x Height (Inches)	20.25X19.25X42.5
(Slave)	Width x Depth x Height (Inches)	20.25X20.25X40
	Weight (Lbs.)	328
	Shipping Weight (Lbs.)	403
SAFETY DEVICE DATA		
Compressor Overload		INTERNAL
Fan Motor Overload		AUTOMATIC INTERNAL
Evaporator Freeze-up		HOT GAS BYPASS
High Pressure Switch		MANUAL
Low Pressure Switch		AUTOMATIC
Compressor Short Cycle		YES
Automatic Restart		YES
Thermostat		MICROPROCESSOR/ DIGITAL
Condensate Pump w 20' Head Pres.		YES
Condensate Pump Overflow		YES
Condensate Tank Overflow		YES



**1-800-KWIKOOL**