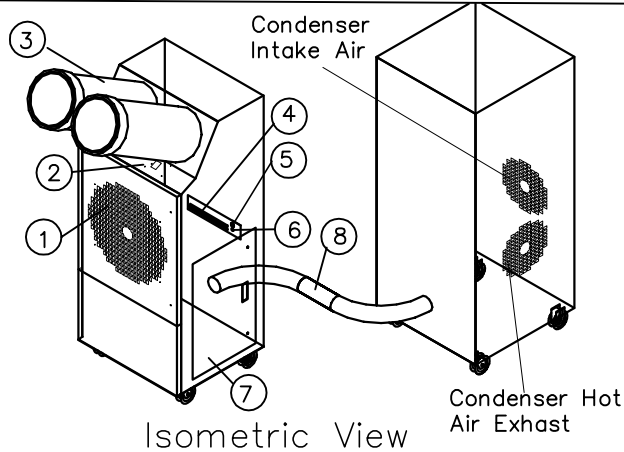


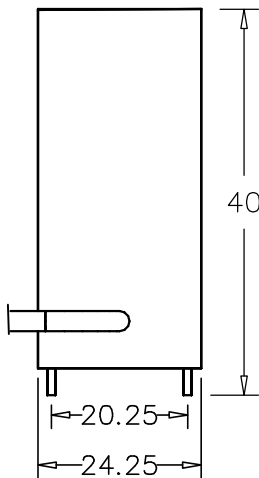
SPLAC6043

- 1 Return Air
- 2 Control pad
- 3 Cold Air Supply
- 4 Power Cord
- 5 Condensate Nipple
- 6 Condensate Alarm Jack
- 7 Access Door
- 8 Flexible Cable Connector (3"ø x 20')

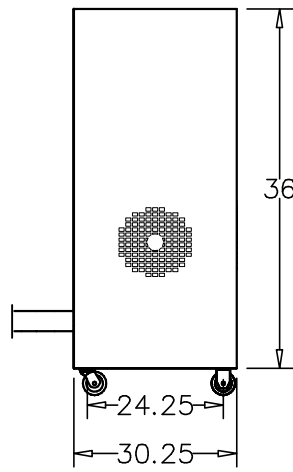


Isometric View

CONDENSER UNIT

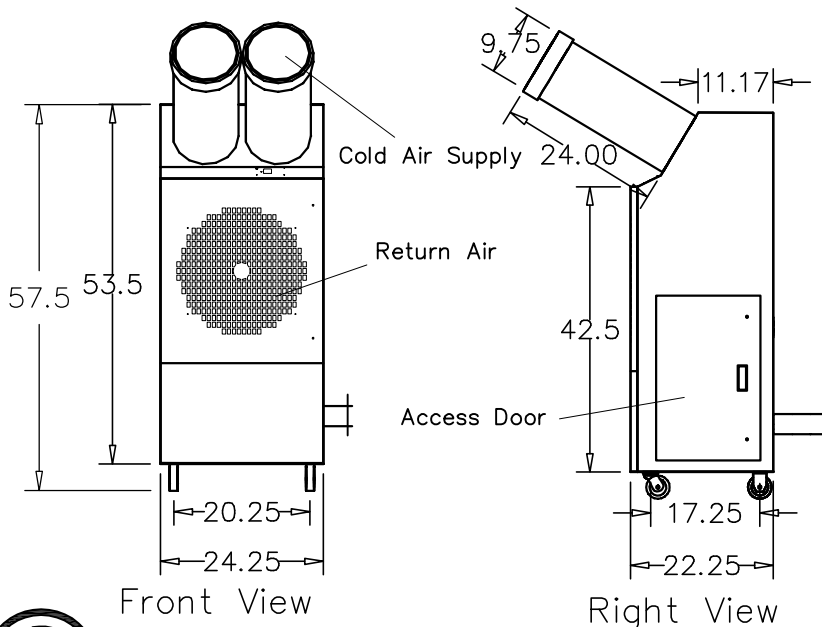


Front View



Right View

CONTROL UNIT



Front View

Right View



ETL LISTED CONFORMS TO ANSI/UL
1995 CERTIFIED TO CAN/CSAA22.2 NO.235

Kwikool

1-800-KWIKOOL

SPECIFICATIONS

Model SPLAC6043 - 5 Ton

COOLING CAPACITY		
	BTU/hr @ 95 F at 60%RH	60000 (5 TON)
COMPRESSOR DATA		
	Compressor Type	HERMETIC ROTARY
	Operating Temperatures	60-110 F .50%RH
	Refrigerant	R-22
FAN DATA		
EVAPORATOR		
	Fan Type (Centrifugal)	DIRECT DRIVE
	Air Flow (CFM)	2000/Single Speed
	Supply Air Chute Data	2-10" Dia. x 24" Length
	Supply Air Chute Max. Length	50'
	Motor HP	3/4
CONDENSER		
	I/O Intergral Condenser - In/Out	BALANCED AIR FLOW
	Fan Type (Centrifugal)	BELT DRIVE
	Air Flow (CFM)	3500
	Condenser Exhaust Duct (Optional)	1-20" Dia. x 8" Length
	Condenser Duct Max. Length	65'
	Motor HP	3
ELECTRICAL DATA		
	Power Supply (Volts)	460-3 Phase
	Current Consumption (Amps)	17.65
	Power Consumption (KW)	7.5
	Maximum Circuit Breaker (Amps)	30
	Minimum Circuit Ampacity (Amps)	19.25
	Min/Max Voltage	420-500
	Power Cord Gauge/Length	10AWG/8
	Plug Configuration	FIELD SUPPLIED
DIMENSIONAL DATA		
SPLAC Model (Master)	Width x Depth x Height (Inches)	24.25X22.25X57.5
(Slave)	Width x Depth x Height (Inches)	24.25X30.25X40
	Weight (Lbs.)	655
	Shipping Weight (Lbs.)	755
SAFETY DEVICE DATA		
	Compressor Overload	INTERNAL
	Fan Motor Overload	AUTOMATIC INTERNAL
	Evaporator Freeze-up	HOT GAS BYPASS
	High Pressure Switch	MANUAL
	Low Pressure Switch	AUTOMATIC
	Compressor Short Cycle	YES
	Automatic Restart	YES
	Thermostat	MICROPROCESSOR/ DIGITAL
	Condensate Pump w 20' Head Pres.	YES
	Condensate Pump Overflow	YES
	Condensate Tank Overflow	YES



1-800-KWIKOOL