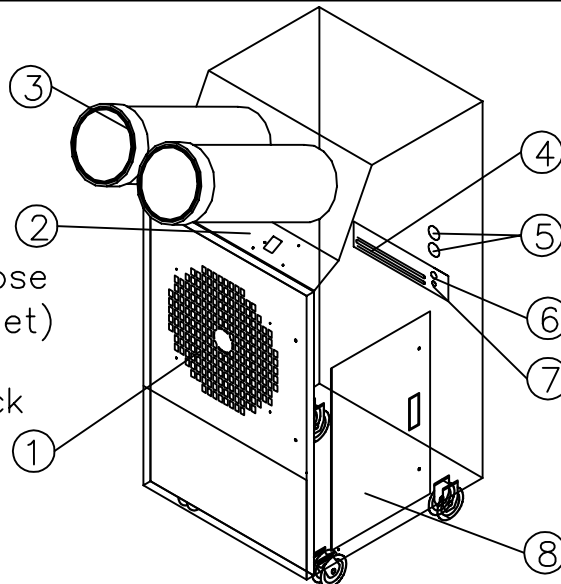


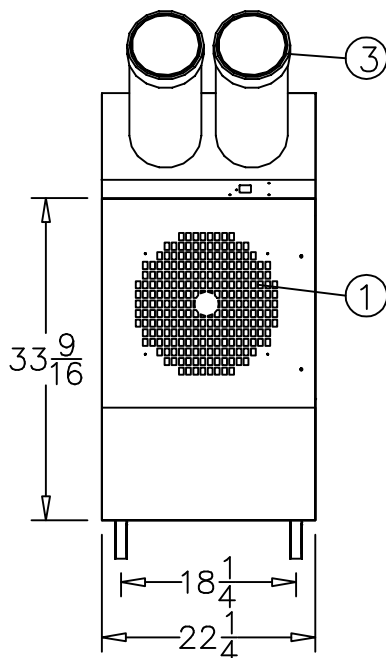
# SWAC4221

## Legend

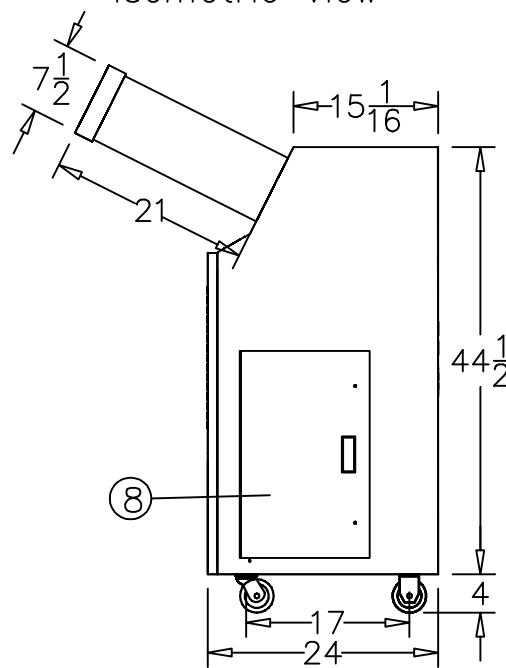
- 1 Return Air
- 2 Control Pad
- 3 Cold Air Supply
- 4 Power Cord
- 5 1/2" Female water Hose Connector (Inlet/Outlet)
- 6 Condensate Nipple
- 7 Condensate Alarm Jack
- 8 Access Door



Isometric View



Front View



Right View



ETL LISTED CONFORMS TO ANSI/UL  
1995 CERTIFIED TO CAN/CSAA22.2 NO.235

# SPECIFICATIONS

## Model SWAC4221 - 3.5 Ton

| COOLING CAPACITY   |                                  |                            |
|--------------------|----------------------------------|----------------------------|
|                    | BTU/hr @ 95 F at 60%RH           | 42,000 (3.5 TONS)          |
| COMPRESSOR DATA    |                                  |                            |
|                    | Compressor Type                  | HERMETIC RECIP.            |
|                    | Operating Temperatures           | 60-110 F .50%RH            |
|                    | Refrigerant                      | R-22                       |
| FAN DATA           |                                  |                            |
| EVAPORATOR         |                                  |                            |
|                    | Fan Type (Centrifugal)           | DIRECT DRIVE               |
|                    | Air Flow (CFM)                   | 1400/3                     |
|                    | Supply Air Chute Data            | 2-8" Dia. x 21" Length     |
|                    | Supply Air Chute Max. Length     | 35'                        |
|                    | Motor HP                         | 1/2                        |
| WATER FLOW DATA    |                                  |                            |
|                    | Flow Regulation Valve            | AUTOMATIC                  |
|                    | Inlet Water 85F-95F Exit(GPM)    | 10.5                       |
|                    | Inlet Water 75F-95F Exit(GPM)    | 5.25                       |
|                    | Inlet Water 65F-95F Exit(GPM)    | 3.5                        |
|                    | Inlet Water 55F-95F Exit(GPM)    | 2.75                       |
| ELECTRICAL DATA    |                                  |                            |
|                    | Power Supply (Volts)             | 208/230-1 Phase            |
|                    | Current Consumption (Amps)       | 28/25.5                    |
|                    | Power Consumption (KW)           | 5                          |
|                    | Maximum Circuit Breaker (Amps)   | 40/30                      |
|                    | Minimum Circuit Ampacity (Amps)  | 25.25                      |
|                    | Min/Max Voltage                  | 195-225/210-250            |
|                    | Power Cord Gauge/Length          | 10AWG/10'                  |
|                    | Plug Configuration               | FIELD SUPPLIED             |
| DIMENSIONAL DATA   |                                  |                            |
| Unitary Models     | Width x Depth x Height (Inches)  | 22.25X24X48                |
|                    | Weight (Lbs.)                    | 285                        |
|                    | Shipping Weight (Lbs.)           | 360                        |
| SAFETY DEVICE DATA |                                  |                            |
|                    | Compressor Overload              | INTERNAL                   |
|                    | Fan Motor Overload               | AUTOMATIC INTERNAL         |
|                    | Evaporator Freeze-up             | HOT GAS BYPASS             |
|                    | High Pressure Switch             | MANUAL                     |
|                    | Low Pressure Switch              | AUTOMATIC                  |
|                    | Compressor Short Cycle           | YES                        |
|                    | Automatic Restart                | YES                        |
|                    | Thermostat                       | MICROPROCESSOR/<br>DIGITAL |
|                    | Condensate Pump w 20' Head Pres. | YES                        |
|                    | Condensate Pump Overflow         | YES                        |
|                    | Condensate Tank Overflow         | YES                        |



1-800-KWIKOOL